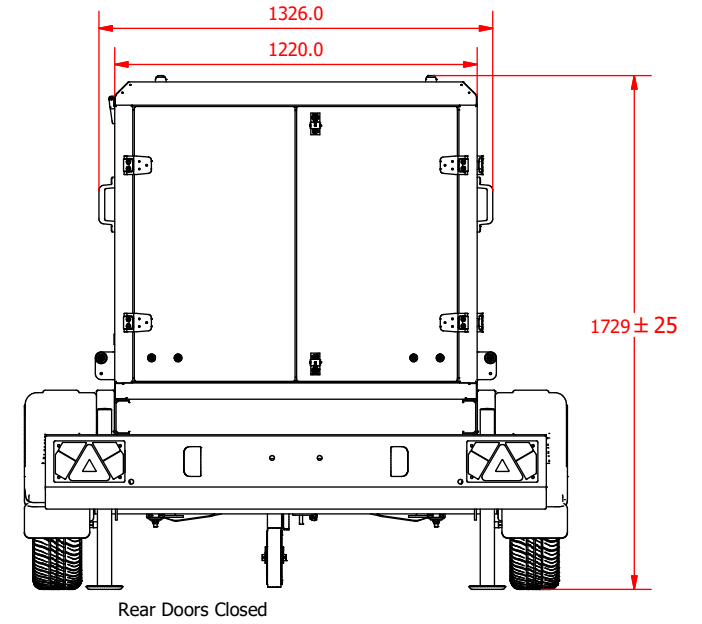
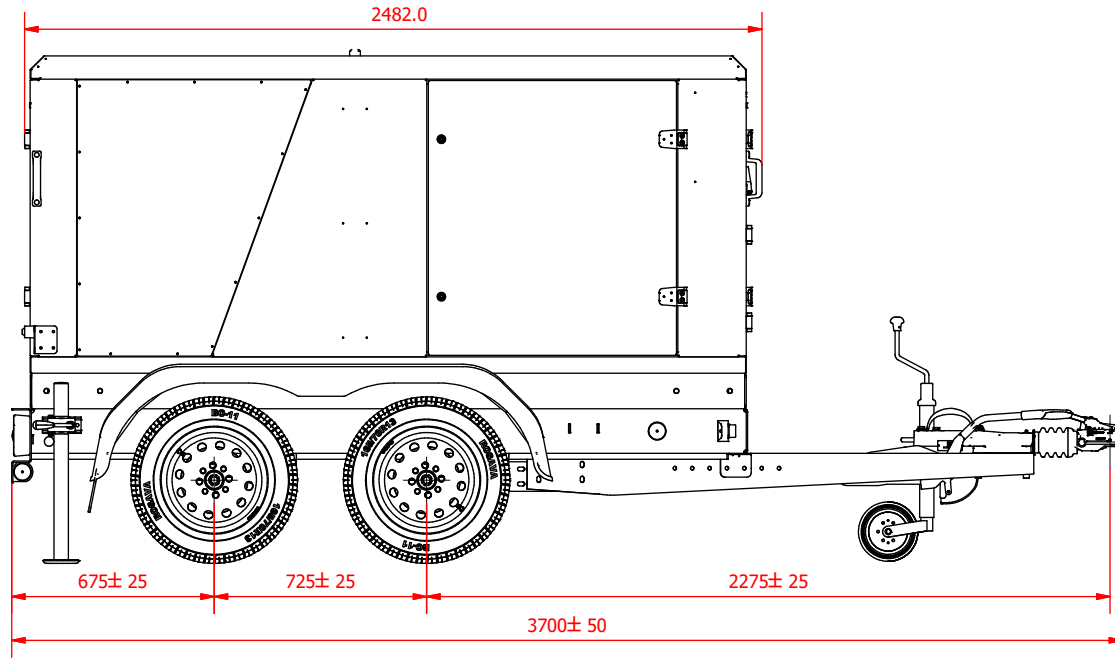
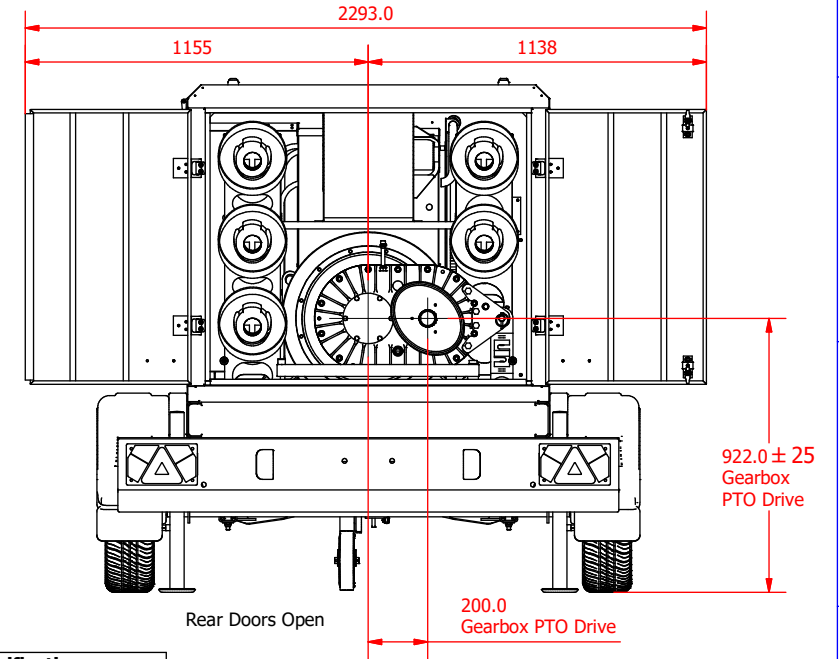
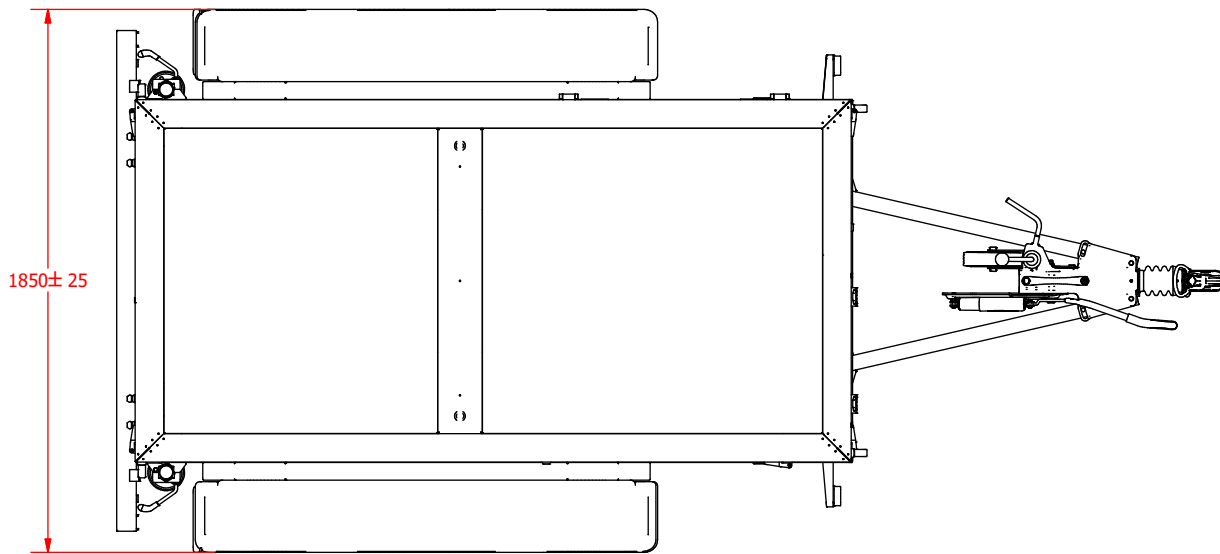


# Trailer Mounted Sigma 50/60 Dynamometer



Rear Doors Closed



Rear Doors Open

Trailer Mounted Sigma 50/60 Dynamometer Specification		
Item	Sigma 50	Sigma 60
Kerb Side Mass	1780kg	1980kg
Coupling	50mm Ball Head	50mm Ball Head
Gearbox PTO Drive	Type 3 - 1 3/4" 20 Spline	Type 4 - 2 1/4" 22 Spline